

## R380



### Features

- Diameter 380mm
- Modern, stylish and Innovative design
- Uniform light output
- Durable with life span over 50,000 hours
- 5 Years Guarantee
- Versatile installation, Recessed/ Suspension/ Surface Mounted
- Simple and convenient installation

### Applications

Meets the general and decoration lighting environment such as:

- Offices
- Restaurants
- Hotels
- Shops
- Schools and Hospitals
- Hallway & lobbies
- Meeting Rooms



REV 1.1

10/31/2017

## Sheenly LED Round Panel Light

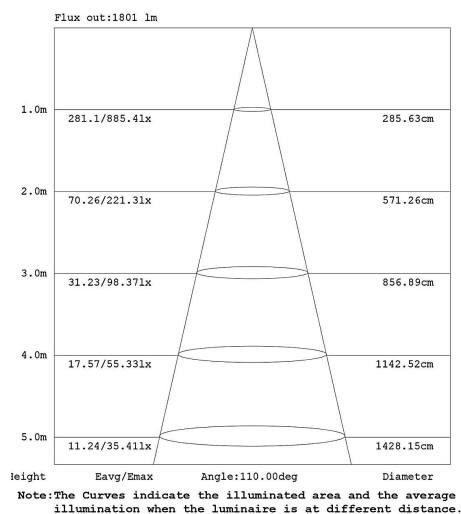
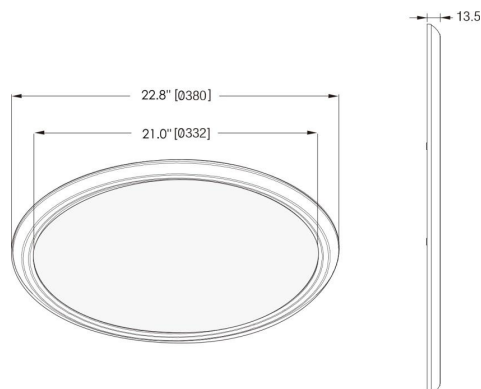
Sheenly LED Round Panel Light adopts qualified super bright LED as light source, which is stable, long life and no UV & IR emission. The anodized aluminum frame is stylish and fashionable with everlasting color. It is powered by low voltage constant current driver, which is safety, energy saving and long life.

Brand new round panel light R380, which is design with elegant appearance and versatile installation, combines three kinds of installation by the intelligent arrangement of its accessories. R380 creates extremely harmonies and uniform lights and provides an exciting effect.

### Specifications

<b>Dimension</b>	D380*15 mm
<b>Power &amp; Lumen Output</b>	
18W	1800 lm @4000K
25W	2500 lm @ 4000K
<b>Color Temperature</b>	
Warm White	3000 ±200K
Natural White	4000 ±250K
Day White	5000 ±300K
Pure White	5700 ±350K
<b>Color Rendering Index</b>	>80
<b>Rated Life (L70)</b>	50,000 Hours
<b>Housing</b>	Aluminum
<b>Optics</b>	PMMA
<b>Beam Spread</b>	120°
<b>Operating Temperature</b>	-10°C to +40°C (Amb.)
<b>Input Voltage</b>	100-277/220-240V/AC
<b>Power Factor</b>	>0.9
<b>Working Voltage</b>	
18W	24 V/DC±2
25W	36 V/DC±3
<b>IP</b>	IP20
<b>Installation</b>	
	Recessed
	Pendant Mounted
	Surface Mounted

## Dimension and Illumination Diagram



## Ordering Information

Sheenly	Class	Watt	CCT	Model	Finishing	Options
SL=Sheenly Lighting	PAN=Panel	18W 25W	WW=3000 ±200K NW=4000 ±250K DW=5000 ±300K PW=5700 ±350K	R40	White Sliver	

\*Standard finishing comes in White, for other finishing color please specify when place the order.

Part Number	Power	CCT	Lumen Output	Beam	Dimension
SL-PAN-18W-WW-R40	18W	3000 ±200K	1800	120°	D380*15 mm
SL-PAN-18W-NW-R40		4000 ±250K	1800		
SL-PAN-18W-PW-R40		5700 ±350K	1800		
SL-PAN-25W-WW-R40	25W	3000 ±200K	2500		
SL-PAN-25W-NW-R40		4000 ±250K	2500		
SL-PAN-25W-PW-R40		5700 ±350K	2500		

## Accessory



Suspension Kit:  
R380 Surface mounted kit  
Suspension kit

## Packing Information

Part Number	Pcs./Inner box	Master Carton Size[mm]	Pcs./Master Carton	Pcs./20' Container	Pcs./40' Container
SL-PAN-18W-XW-R40	1	L425*W415*H520	8	1344	2688
SL-PAN-25W-XW-R40	1	L425*W415*H520	8	1344	2688

### Shanghai Sheenly Lighting Co., Ltd.

No. 2755 SanLu Road, Minhang District Shanghai 201112, China

Tel: (+86)-21-6411 3138 Fax: (+86)-21-6411 3862

\*All specifications subject to change without notice.

©2009-2017 Sheenly Lighting all rights reserved.